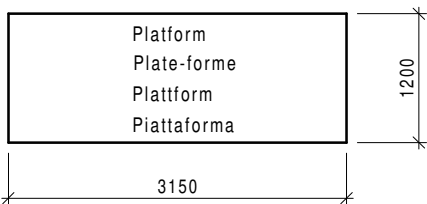
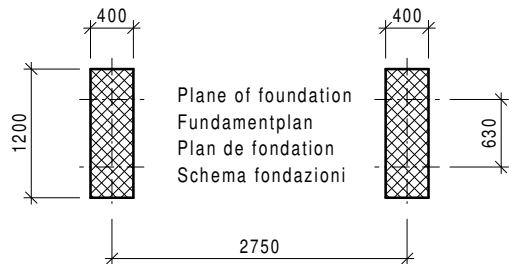
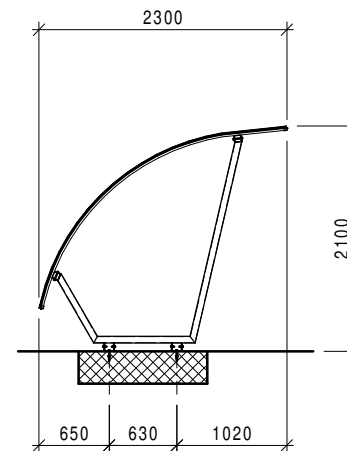
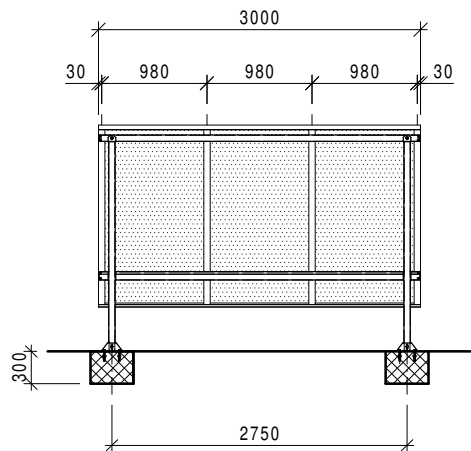


COVER CYCLES	August 2020
FAHRRADUEBERDACHUNG	MR
TOITURE A VELO	
COPERTURA CICLI	

C.I.C.L.O.P.A.R.K.[®] CITY

QUADRO

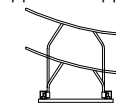
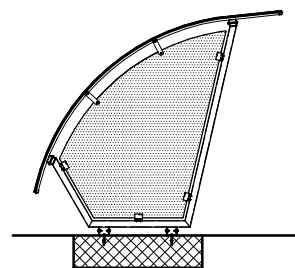
MARINO BERNASCONI^{BA}



ON REQUEST - AUS ANFRAGE - SUR DEMANDE - SU RICHIESTA

Wall side - Seitenwände
Finition laterales - Pareti laterali

Holder - Velohalter
Support - Supporti



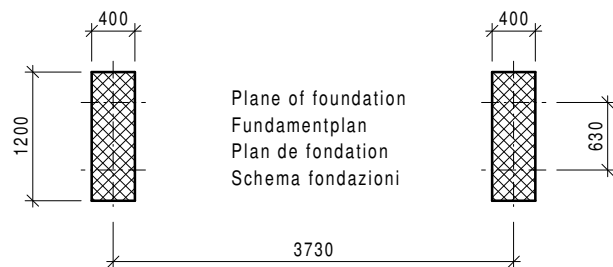
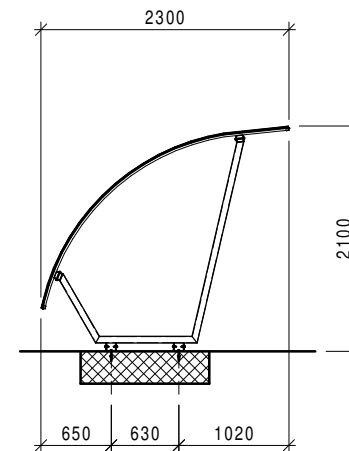
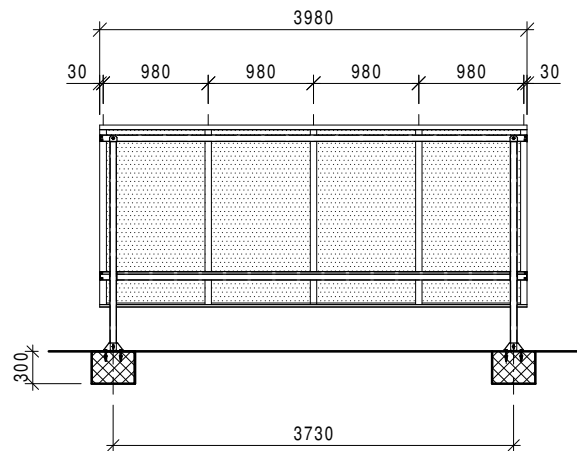
Mod. H-23 24

COVER CYCLES	August 2020
FAHRRADUEBERDACHUNG	MR
TOITURE A VELO	
COPERTURA CICLI	

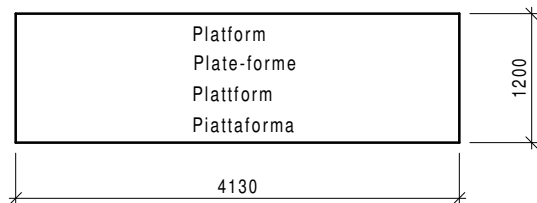
C.I.C.I.O.P.A.R.K.® CITY

QUADRO 300

MARINO BERNASCONI



Plane of foundation
Fundamentplan
Plan de fondation
Schema fondazioni

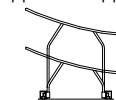
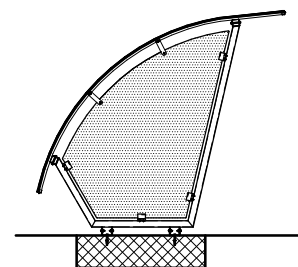


Platform
Plate-forme
Plattform
Piattaforma

ON REQUEST - AUS ANFRAGE - SUR DOMANDE - SU RICHIESTA

Wall side - Seitenwände
Finition laterales - Pareti laterali

Holder - Velohalter
Support - Supporti



Mod. H-23 24

COVER CYCLES	August 2020
FAHRRADUEBERDACHUNG	MR
TOITURE A VELO	
COPERTURA CICLI	

C.I.C.I.O.P.A.R.K.® CITY

QUADRO 400

MARINO BERNASCONI