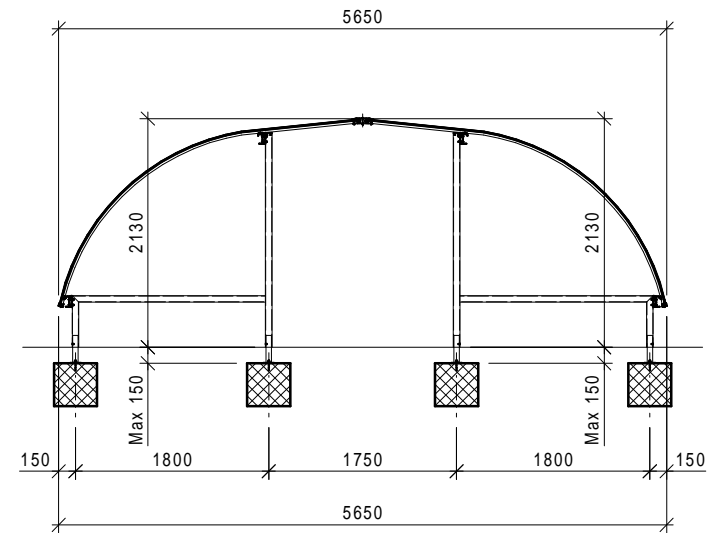
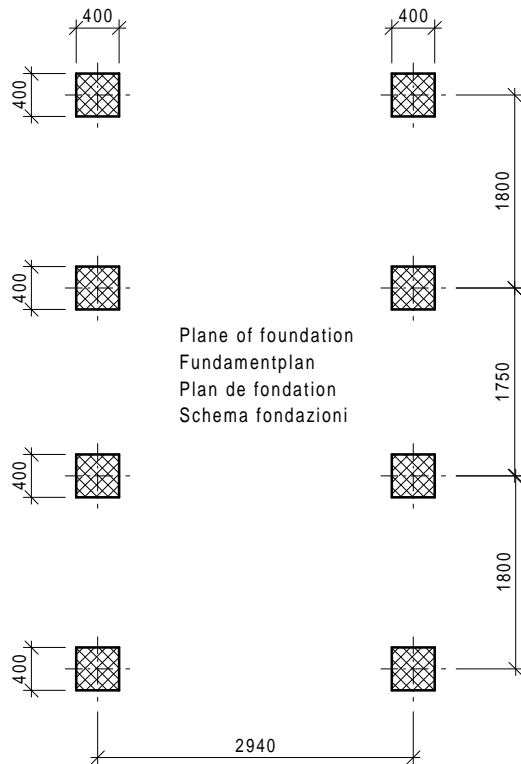
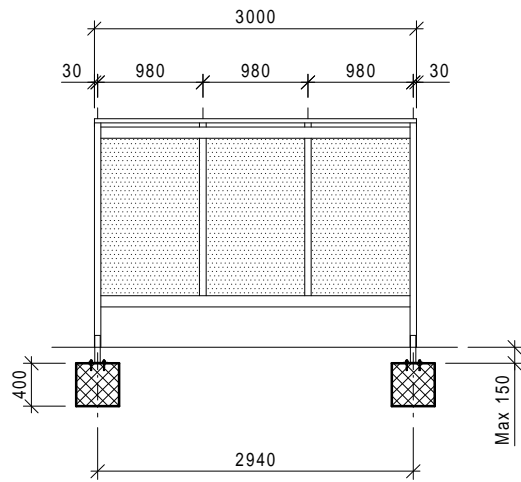


COVER CYCLES	January 2018
FAHRRADUEBERDACHUNG	MR
TOITURE A VELO	
COPERTURA CICLI	

**C.I.C.I.O.P.A.R.K.<sup>®</sup> CITY**

**STANDARD D**

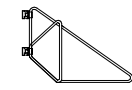
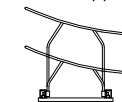
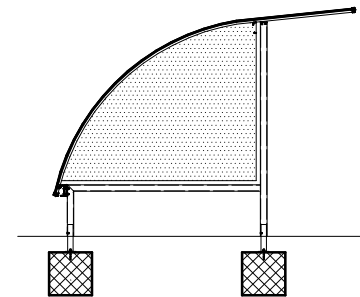
**MARINO BERNASCONI**



ON REQUEST - AUS ANFRAGE - SUR DOMANDE - SU RICHIESTA

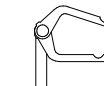
Wall side - Seitenwände  
Finition laterales - Pareti laterali

Holder - Velohalter  
Support - Supporti



Mod. H-23 24

Mod. D-12 13



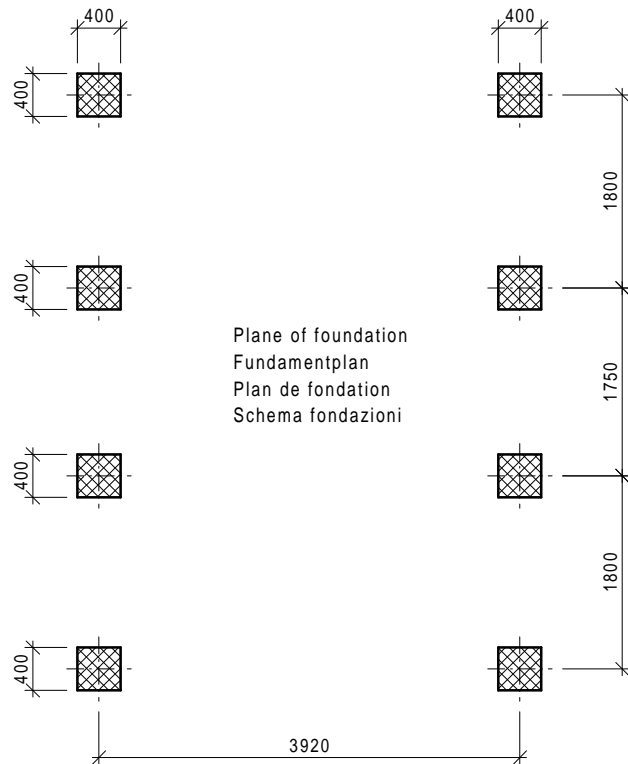
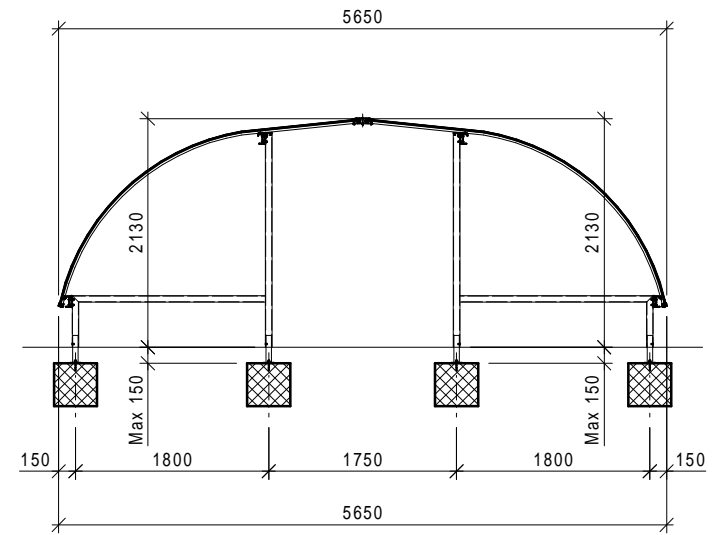
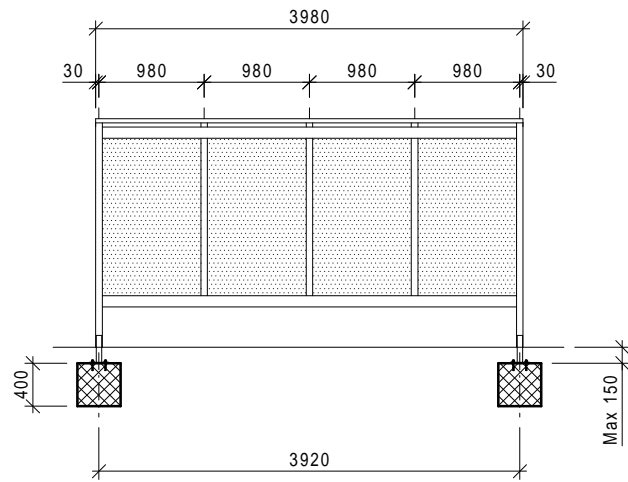
Mod. M20

COVER CYCLES	January 2018
FAHRRADUEBERDACHUNG	MR
TOITURE A VELO	
COPERTURA CICLI	

**C.I.C.I.O.P.A.R.K.® CITY**

**STANDARD D300**

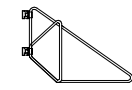
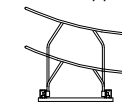
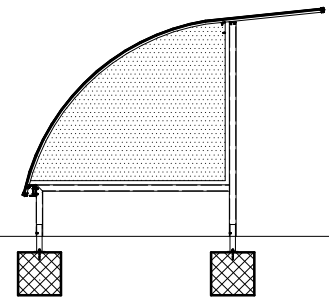
**MARINO BERNASCONI**



ON REQUEST - AUS ANFRAGE - SUR DOMANDE - SU RICHIESTA

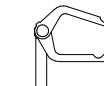
Wall side - Seitenwände  
Finition laterales - Pareti laterali

Holder - Velohalter  
Support - Supporti



Mod. H-23 24

Mod. D-12 13



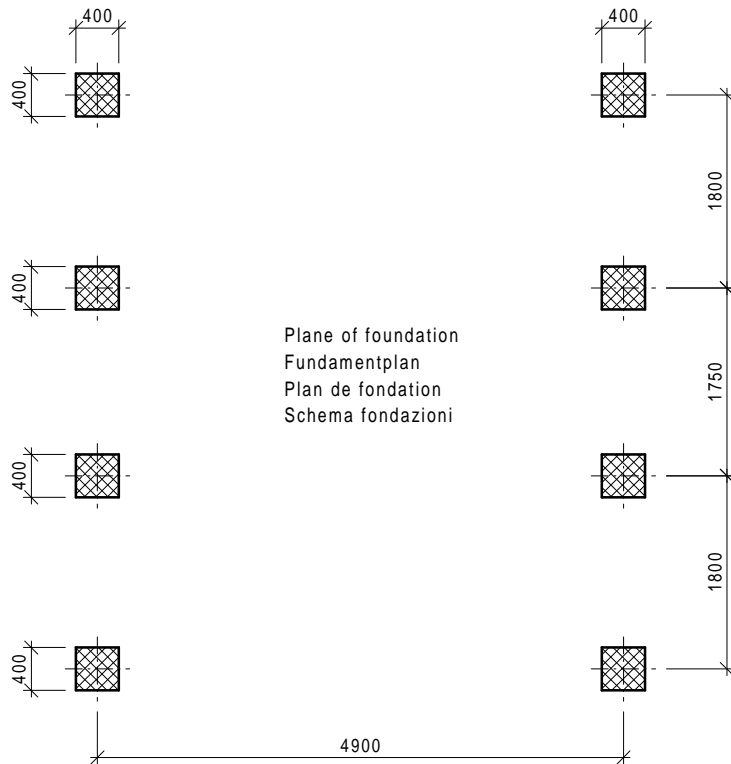
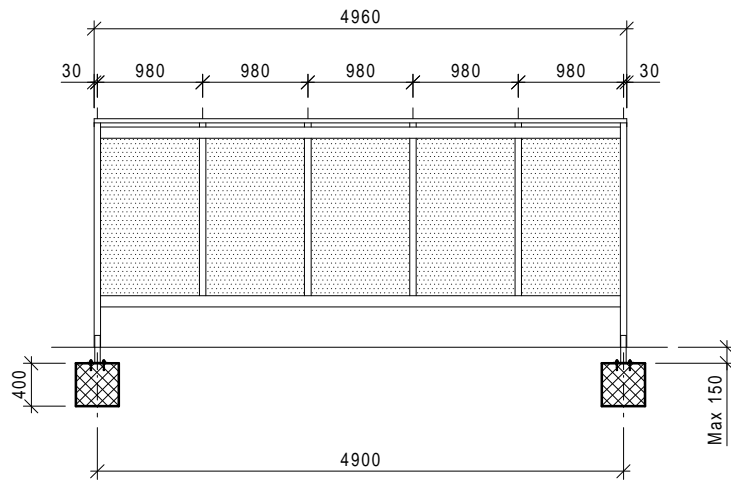
Mod. M20

COVER CYCLES	January 2018
FAHRRADUEBERDACHUNG	MR
TOITURE A VELO	
COPERTURA CICLI	

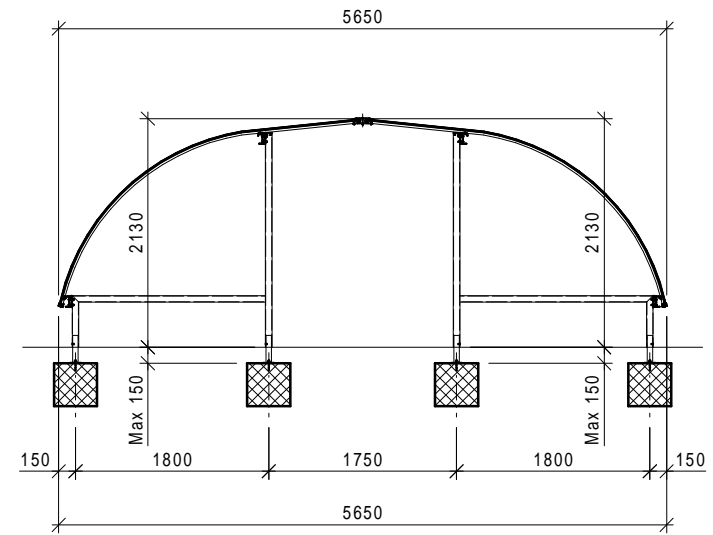
**C.I.C.I.O.P.A.R.K.<sup>®</sup> CITY**

**STANDARD D400**

**MARINO BERNASCONI**



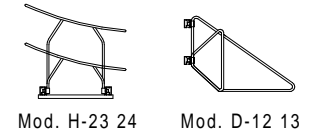
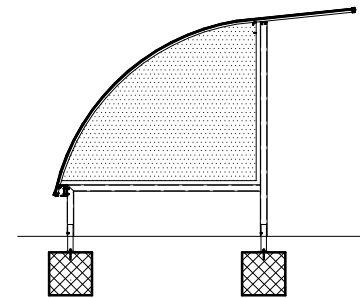
Plane of foundation  
Fundamentplan  
Plan de fondation  
Schema fondazioni



ON REQUEST - AUS ANFRAGE - SUR DOMANDE - SU RICHIESTA

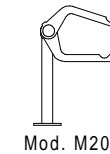
Wall side - Seitenwände  
Finition laterales - Pareti laterali

Holder - Velohalter  
Support - Supporti



Mod. H-23 24

Mod. D-12 13



Mod. M20

COVER CYCLES	January 2018
FAHRRADUEBERDACHUNG	MR
TOITURE A VELO	
COPERTURA CICLI	

**C.I.C.I.O.P.A.R.K.<sup>®</sup> CITY**

**STANDARD D500**

**MARINO BERNASCONI**